

Current Activity

Niklas Söderlund

2016-07-12

Background:

- Stockholm, Sweden
- M.Sc from Royal Institute of Technology in Stockholm (2004 – 2009)

Previous Employments:

- Research engineer at Swedish Defence Research Agency (2009 – 2010)
- Linux engineer at Ericsson (2010 – 2014)
- Self employed at Ragnatech (2014 – present)

Renesas:

- Trail assignment, PFC for EMEV2 end of 2014
- Base contracts + additional tasks since beginning 2016

VIN Gen3 support

- Driver is public but not yet merged upstream
- Supports resource sharing between all 8 VIN channels by VIN groups
- Capable of runtime muxing of the 4 possible shared CSI2 input sources and per VIN digital input where available (VIN4 and VIN5)

Future work

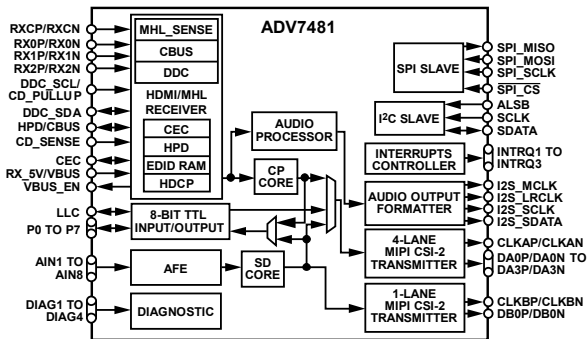
- Address review comments and get it merged upstream
- UDS Scaler support
- Adaptions to V4L2 changes needed to support ADV7482

- Prototype public

Future work

- Address review comments (if any) and get it merged upstream
- Adaptions to V4L2 changes needed to support ADV7482 (if needed)

- Prototype public



12558-001

Figure 1. ADV7481 Block Diagram

Blocker

The ADV7482 have two video outputs, 4-lane and 1-Lane CSI2. The V4L2 framework do not support subdevices with two independent video outputs and needs to be extended.

Future work

- Add V4L2 support for independent video outputs
- Add controls (Brightness, Gamma, etc)
- Add EDID programming support
- Detect input format changes (Interrupt + V4L2 Event)
- Add cropping and scaling support
- Power management
- I2C slave addresses from DT